

Service description

Product: VM320	Service description no: 4132-S001	Ver: 1
-------------------	---	-----------

Symptom

The carriers on the conveyor belt hook into the inlet of the conveyor belt.

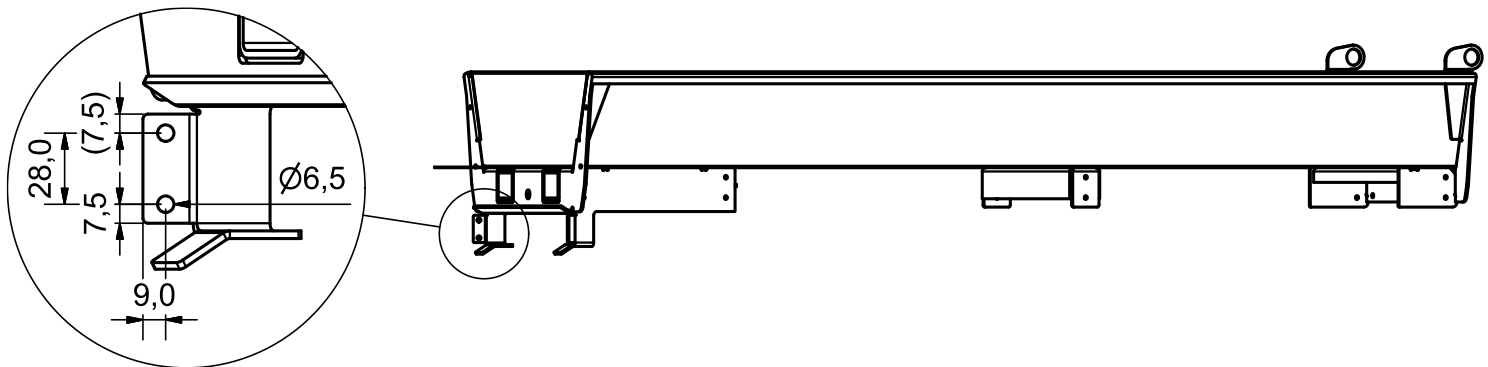
Caused by

The carriers are rotated more than the inlet can tolerate.

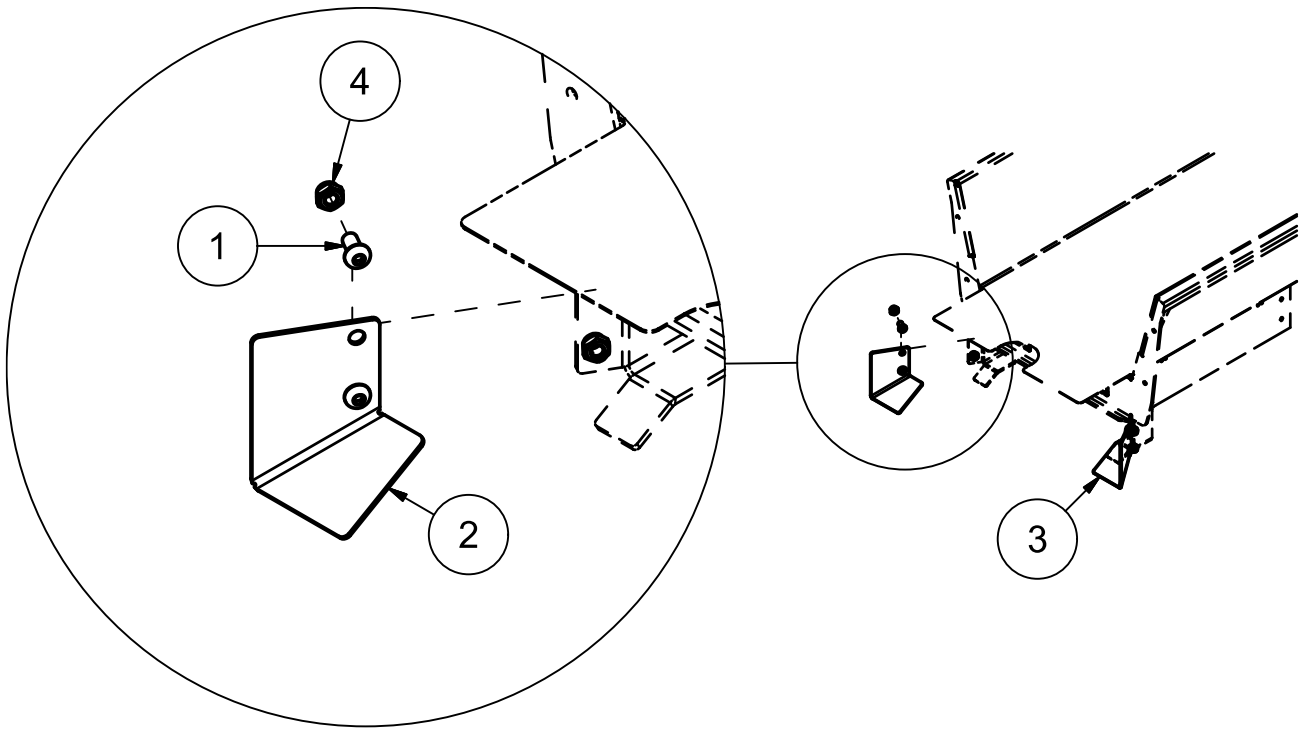
Solution

Insert two guide plates into the inlet. Complete number 141329011

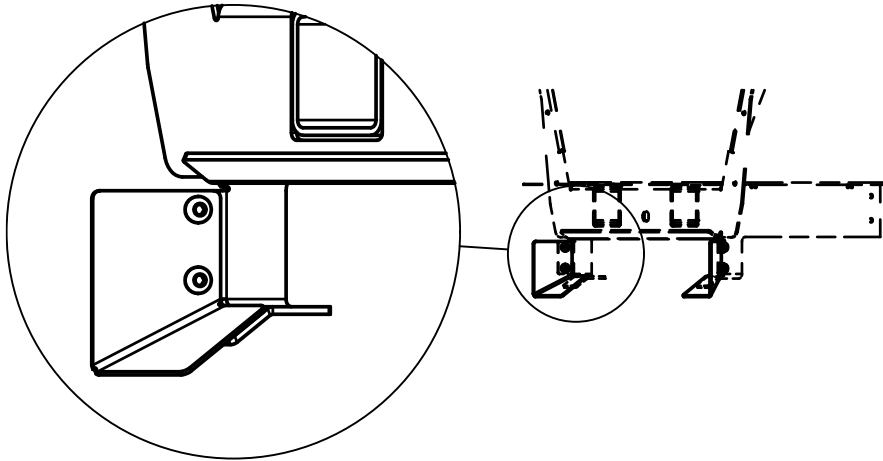
Pos	Qty	Article no	Designation
1	4	2476197	Unbrako round head screw M6x12 EIZn ISO 7380
2	1	14132137	Guide plate left
3	1	14132138	Guide plate right
4	4	2483608	Locking nut M6 EIZn DIN 985



Drill four Ø6.5 holes, as shown in the picture above.



Mount the guide plates as shown in the picture above.



The picture above shows completely mounted guide plate.